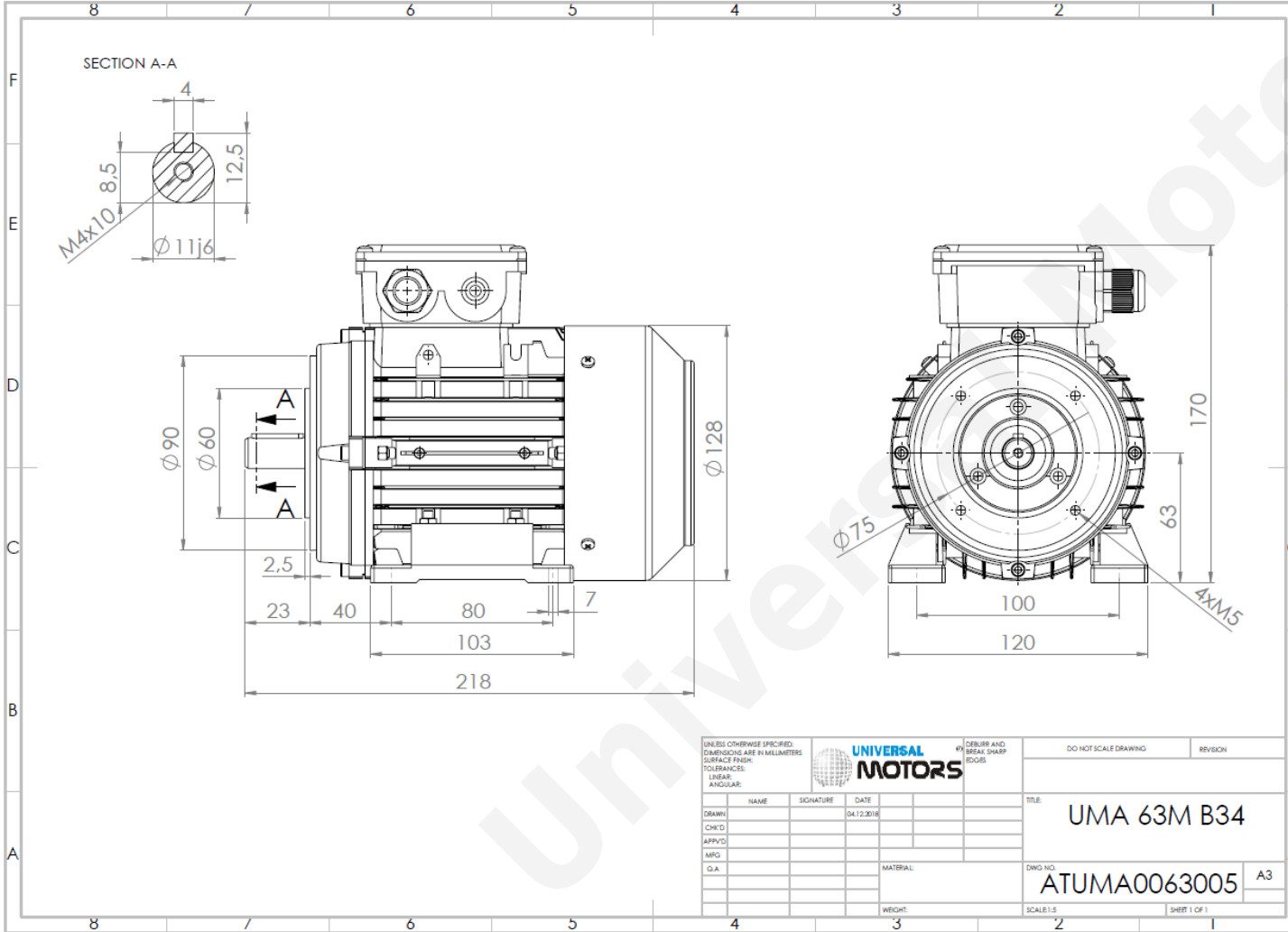




# TECHNICAL DATA

Three Phase Electric Motors - Aluminum Frame  
 UM2A 63M1-4  
 0.12 kW / 0.16 Cv  
 1395 RPM



Motor type:	<b>UM2A 63M1-4</b>
Output:	<b>0.12 kW / 0.16 Cv</b>
Speed (min <sup>-1</sup> ):	<b>1395 RPM</b>
Frequency:	<b>50 Hz</b>
Voltage:	<b>400 V</b>
Current:	<b>0.44 A</b>
Power factor (Cos Ø):	<b>0.65</b>
Poles:	<b>4</b>
Insulation class:	<b>F</b>
Temperature rise Class:	<b>B</b>
Efficiency 50%:	<b>48.2 %</b>
Efficiency 75%:	<b>56.7 %</b>
Efficiency 100%:	<b>60.1 %</b>
Torque:	<b>0.82 N.m</b>
Tstarting/Tnominal:	<b>2.2</b>
Istarting/Inominal:	<b>3.5</b>
Tmaximum/Tnominal:	<b>2.3</b>
Noise:	<b>52 Db(A)</b>
Weight:	<b>3.5 Kg</b>
Bearing DE:	<b>6201 2Z</b>
Bearing NDE:	<b>6201 2Z</b>

Regime - S1

Altitude - 1000m

Environment Temperature - 40°C

### CONTACTS:

UNIVERSAL MOTORS Tel: +351 252 299 080  
 Rua de São Brás,745 Fax: +351 252 299 089  
 4480-782 VILA DO CONDE Mail: [geral@universalmotors.pt](mailto:geral@universalmotors.pt)

\* References applied only in the UK